

TOUCH-BAR PANIC DEVICES



SBLOCK PVD



MAIN FEATURES

ADVANCED DESIGN

- PVD treatment is a special technology from the aerospace field, combining design and a high resistance to wear and abrasion.
- The balance of style, size and weight, as a result of an accurate design, makes "SBLOCK PVD" suitable for any kind of environment.

EASY TO INSTALL

- Special design features make "SBLOCK PVD" easy and quick to install, on wooden, steel or aluminium doors.

MODULARITY

- The basic "SBLOCK PVD" model can be combined with top/bottom or lateral bolts, for single or double leaf rebated and swinging doors, and with outside operation devices.

RELIABILITY

- "SBLOCK PVD" is produced with high quality materials and reliable operating mechanisms to guarantee efficiency and durability.

CERTIFICATION AND CE MARKING

- The materials and technical solutions adopted allow the highest standards to be respected, leading CISA to obtain markings and certifications such as:
 - CE marking according to EEC DIRECTIVE 89/106 released by AENOR:
 - certificate no. 0099CPD/A44/001 – for use on standard doors,
 - certificate no. 0099CPD/A44/002 – for use on fire doors
 - Voluntary product certification released by third party ICIM as provided for by UNI EN 1125 standards.
- All CISA "SBLOCK" devices bear CE marking since June 2002 and are ICIM certified since March 2002.

Technical Features

- Aluminium/aluminium alloy casing with PVD coating.
- PVD coating aluminium bar, that can be shortened up to 300 mm, on all models.
- Aluminium alloy latchbolts with PVD coating.
- Dead-locking lateral and top/bottom latch bolts.
- Chrome-plated steel deadbolts.

Operation

- Inside: by pushing the bar.
- Outside: by key and/or handle.

Finish with PVD treatment

- Satin stainless steel (fin.C2)

Hand

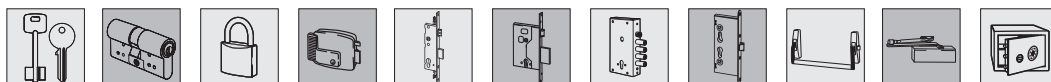
0 = Non-handed

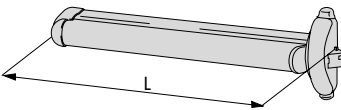
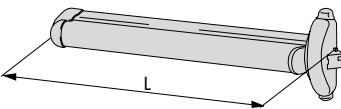
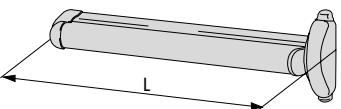
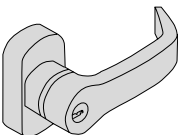

Standard supply

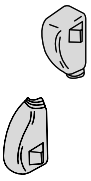
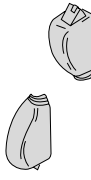
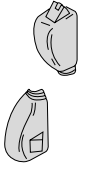
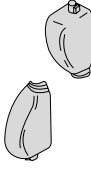

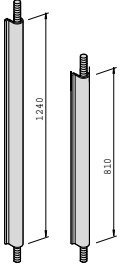
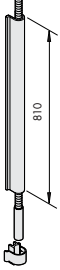
- Strikers
- Stainless steel fixing screws
- Installation and maintenance instruction sheet
- ICIM and CE Certification

On request

- Outside operation units
- Additional locking points
- Version with microswitch (spec. LA)
- Version with hold open device (spec. FG)
- Fire version with steel latchbolts (spec. FR)



Tipologia	Descrizione	L	Kg	Unitario	Pezzi	ARTICOLO				
						Tipo	Dim.	Mano	Fin.	Pers.
	<ul style="list-style-type: none"> • Dead-locking lateral latchbolt • Casing, levers and latchbolt with satin stainless steel PVD coating (fin. C2) • STANDARD SUPPLY: <ul style="list-style-type: none"> - Strikers item 1.07072.70.0 and 1.07072.71.0 • ON REQUEST: <ul style="list-style-type: none"> - Outside operation devices item 1.07077.28.0.C2 and 1.07077.29.0.C2 	1200	3,100	1	1	59800	10	0	C2	
		840	3,800	1	1	59800	11	0	C2	
	<ul style="list-style-type: none"> • MODULAR VERSION • Dead-locking latchbolt which can be deactivated • Casing and latchbolts with satin stainless steel PVD coating (fin. C2) • STANDARD SUPPLY: <ul style="list-style-type: none"> - Strikers item 1.07072.70.0 and 1.07072.71.0 • Can be used with: <ul style="list-style-type: none"> - Pair of top/bottom latchbolts item 1.07063.60.0.C2 - Pair of lateral latchbolts item 1.07063.50.0.C2 - Pair of top/lateral latchbolts item 1.07063.65.1/2.C2 - Pair of top/bottom deadbolts item 1.07063.70.0.C2 • ON REQUEST: <ul style="list-style-type: none"> - Outside operation device 1.07077.28.0.C2 	1300	3,100	1	1	59810	09	0	C2	
		1200	3,100	1	1	59810	10	0	C2	
		840	3,100	1	1	59810	11	0	C2	
	<ul style="list-style-type: none"> • MODULAR VERSION • Casing and levers with satin stainless steel PVD coating (fin. C2) • To be used with: <ul style="list-style-type: none"> - Pair of top/bottom latchbolts item 1.07063.60.0.C2 - Pair of lateral latchbolts item 1.07063.50.0.C2 - Pair of top/lateral latchbolts item 1.07063.65.1/2.C2 - Pair of top/bottom deadbolts item 1.07063.70.0.C2 • ON REQUEST: <ul style="list-style-type: none"> - Outside operation device 1.07077.28.0.C2 	1200	2,500	1	1	59815	10	0	C2	
		840	2,500	1	1	59815	11	0	C2	
	<ul style="list-style-type: none"> • Aluminium alloy plate with handle and satin stainless steel PVD coating (fin. C2) • Nickel-plated cylinder item 1.02649.10.0.12 	0,300		1	1	07077	28	0	C2	
	<ul style="list-style-type: none"> • Aluminium alloy plate with satin stainless steel PVD coating (fin. C2) • Nickel-plated cylinder item 1.02649.10.0.12 	0,300		1	1	07077	29	0	C2	

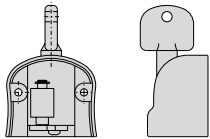
Tipologia	Descrizione	Per serie/art.	Kg Unitario	Pezzi Unitario	ARTICOLO				
					Tipo	Dim.	Mano	Fin.	Pers. Spec.
	<ul style="list-style-type: none"> • Pair of latchbolts for lateral locking points • Casing and latchbolts with satin stainless steel PVD coating (fin. C2) • STANDARD SUPPLY: <ul style="list-style-type: none"> - Strikers items 1.07072.70.0 and 1.07072.71.0 	59810, 59815	1,000	1	1	07063	50	0	C2
	<ul style="list-style-type: none"> • Pair of dead-locking latchbolts for top/bottom locking points • Casing and latchbolts with satin stainless steel PVD coating (fin. C2) • STANDARD SUPPLY: <ul style="list-style-type: none"> - Upper strikers items 1.07072.70 and 1.07072.71.0 - Floor striker item 1.07072.78.0 	59810, 59815	1,000	1	1	07063	60	0	C2
	<ul style="list-style-type: none"> • Pair of latchbolts for top dead-locking and bottom lateral locking points • Casing and latchbolts with satin stainless steel PVD coating (fin. C2) • STANDARD SUPPLY: <ul style="list-style-type: none"> - Strikers items 1.07072.70.02 and 1.07072.71.0 	59810, 59815	1,000	1	1	07063	65	1	C2
	<ul style="list-style-type: none"> • Pair of latchbolts for top/bottom locking points for swinging doors • Casing with satin stainless steel PVD coating (fin. C2) • STANDARD SUPPLY: <ul style="list-style-type: none"> - Upper strikers items 1.07072.75.0 and 1.07072.76.0 - Floor striker item 1.0072.75.0 	59810, 59815	1,000	1	1	07063	70	0	C2
	<ul style="list-style-type: none"> • Additional lateral latchbolt • Casing and latchbolts with glazed stainless steel PVD coating (fin. C2) • STANDARD SUPPLY: <ul style="list-style-type: none"> - Strikers items 1.07072.70.0 and 1.07072.71.0 	59810, 59815	0,300	1	1	07063	25	1	C2
	<ul style="list-style-type: none"> • Pair of stainless steel extended bolts • Stainless steel casing • To be used with pair of latchbolts items 1.07063.50/60/65/70 	59810, 59815	1,130	1	1	07081	15	0	C2
	<ul style="list-style-type: none"> • Stainless steel set for top rod extension • Stainless steel casing 	07063	0,500	1	1	07064	50	0	C2

Tipologia	Descrizione	Unitario Kg	Pezzi	ARTICOLO				
				Tipo	Dim.	Mano	Fin.	Pers. Spec.



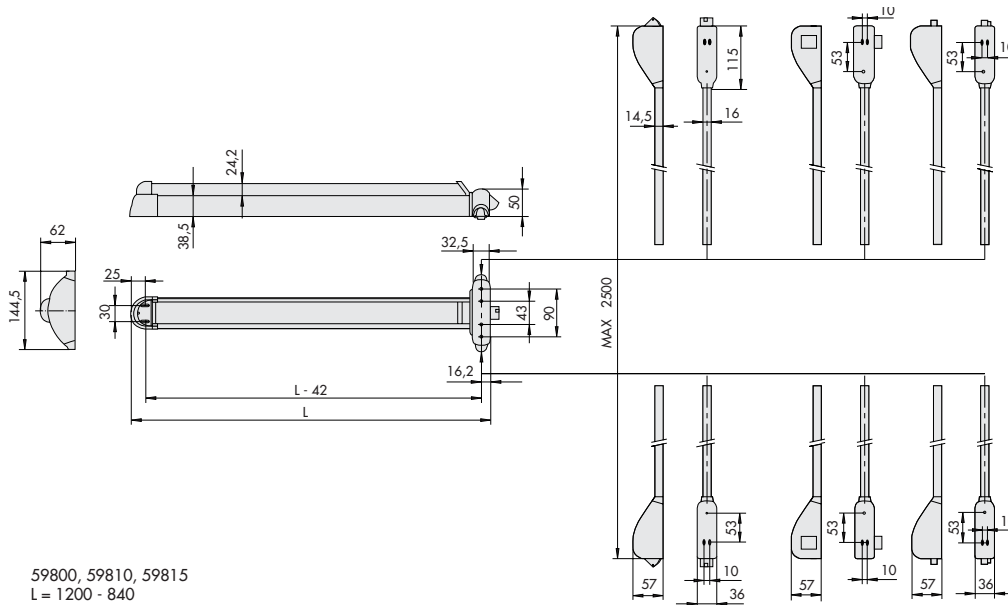
• Microswitch to be used with SBLOCK PVD panic devices

0,020 1 1 06195 06 0

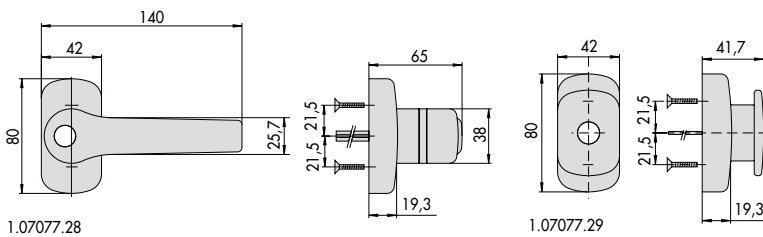


• Hold open device for SBLOCK series of panic devices
• Casing with satin stainless steel PVD coating (fin. C2)

0,080 1 1 07065 50 0 C2



59800, 59810, 59815
L = 1200 - 840



1.07077.28

1.07077.29